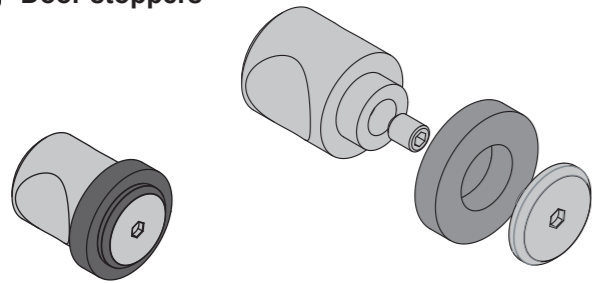


**1 Set sliding door fittings Flatec V**

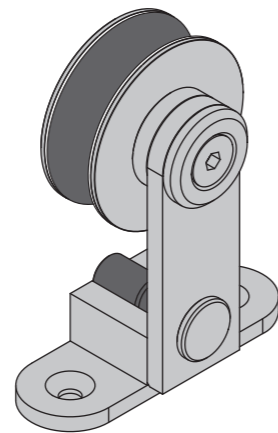
**2 Guide rail**



**3 Door stoppers**



**4 Trolley complete**



**5 Wall fixtures**

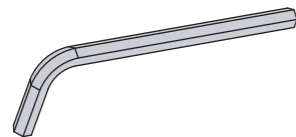
(without screws and dowels, at construction site)

5/16" - 18UNC



\* not included in scope of delivrey

**6 Special tool**



**7 Bottom guide**



(without screws and dowels, at construction site)

Set Flatec V	Set / Each					
1 Art.-No.	2	3	4	5	6	7
USU96-1800EF	1	2	2	4	1	1
USU96-2100EF	1	2	2	4	1	1
USU96-2300EF	1	2	2	5	1	1
USU96-2540EF	1	2	2	5	1	1

**!** Comply with all general safety regulations when installing the sliding door fittings!

Installation to be completed by qualified licensed contractor.

Be sure to tighten all screw connections one week after starting to use the sliding door fittings!

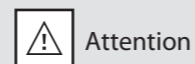
Never use scouring agents to clean the sliding door fittings; rather use commercially available stainless-steel cleaners!



Beyerle US L.L.C.

5126 South Royal Atlanta Drive, Tucker, GA 30084, USA

Phone (770) 349-6324, Fax (770) 934-3384, mail: info@beyerle-us.com, www.beyerle-us.com



Attention



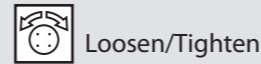
Screw on



Screw on



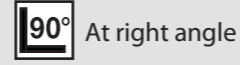
Screw on



Loosen/Tighten



Install



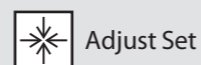
At right angle



Drill



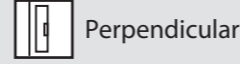
Dowels



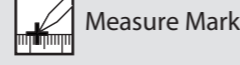
Adjust Set



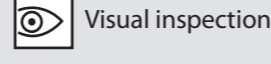
Level



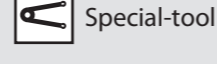
Perpendicular



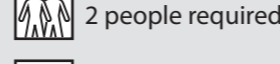
Measure Mark



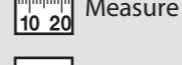
Visual inspection



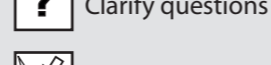
Special-tool



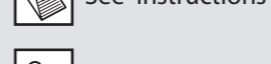
2 people required



Measure



Clarify questions



See Instructions

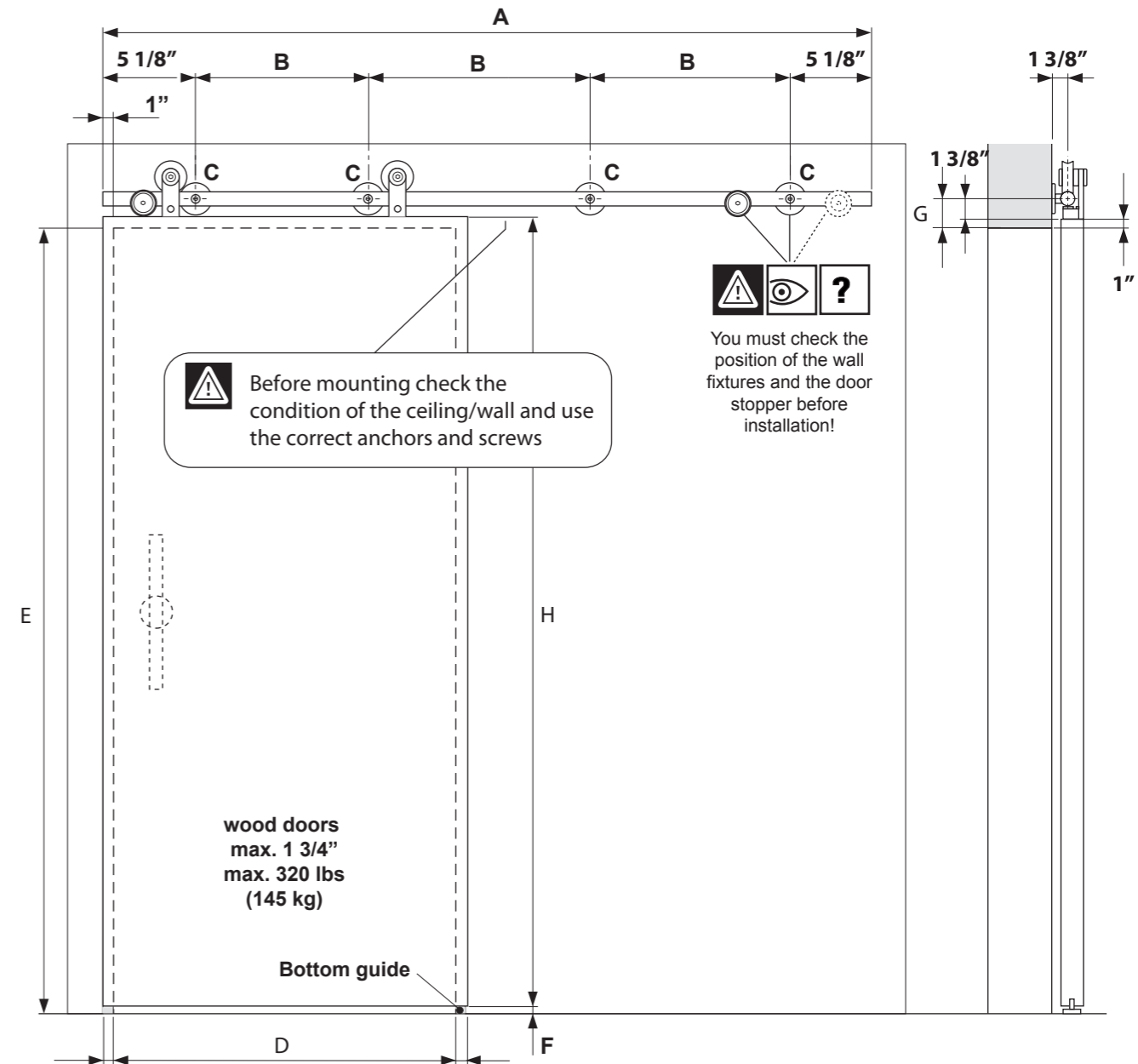


Secure

# Installation instructions

## Sliding door fittings Flatec V

for wood doors ( 1 3/8" - 1 3/4")



**Complete-Set's**

Set Flatec II Art.-No.	A Inch	B Inch	C each	D Inch	E max.Inch	F Inch	G Inch	H max. Inch (H=E - F + 1")
USU96-1800EF	70 7/8"	20 1/4"	4	29 1/2" - 35 7/16"	98 7/16"	1/4" - 3/8"	2 3/8"	99 1/8"
USU96-2100EF	82 1/16"	24 1/8"	4	35 13/16" - 39 3/8"	98 7/16"	1/4" - 3/8"	2 3/8"	99 1/8"
USU96-2300EF	90 5/16"	20 1/16"	5	39 3/4" - 44 1/16"	98 7/16"	1/4" - 3/8"	2 3/8"	99 1/8"
USU96-2540EF	100"	22 7/16"	5	44 1/2" - 49 3/16"	98 7/16"	1/4" - 3/8"	2 3/8"	99 1/8"

Right to make technical changes reserved - Dimensions in Inch - Version 02.2018  
© by ABP-Beyerle GmbH



65 30 00.0176\_Flatec V\_wood-022018jpb

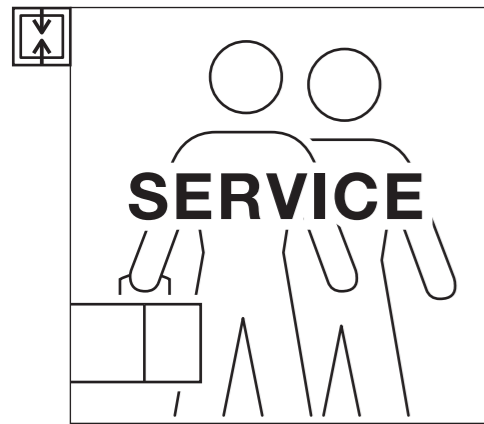


Abb. 1

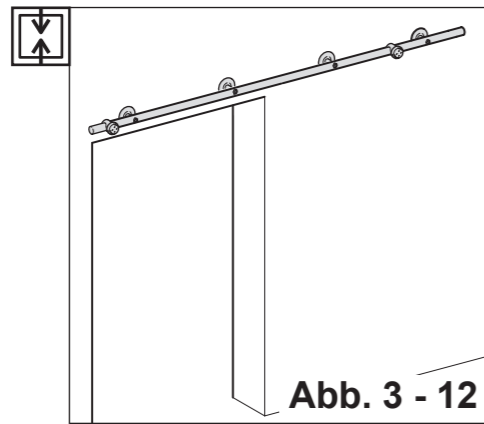


Abb. 2

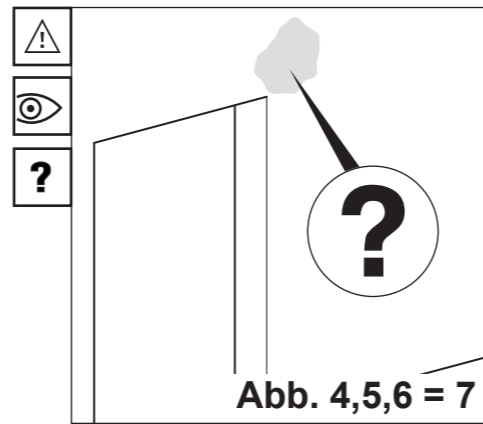


Abb. 4,5,6 = 7

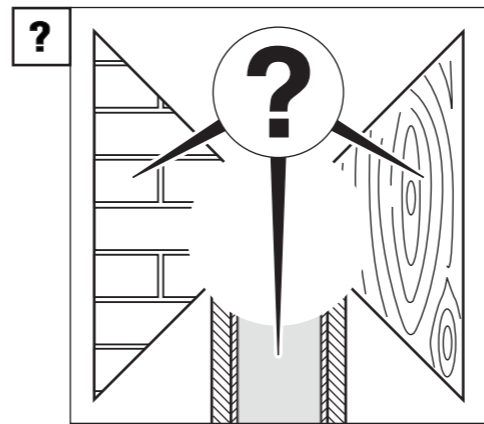


Abb. 4

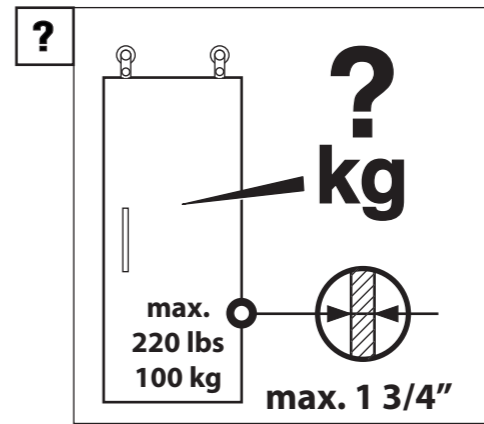


Abb. 5

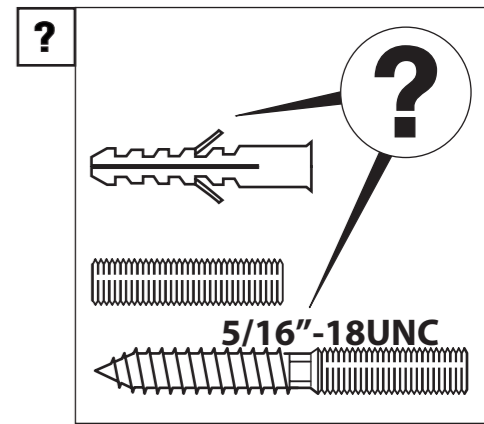


Abb. 6

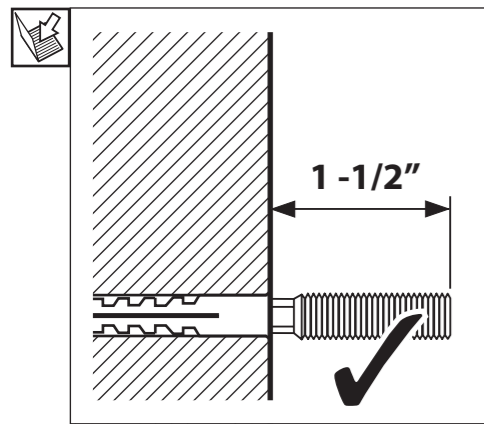


Abb. 7

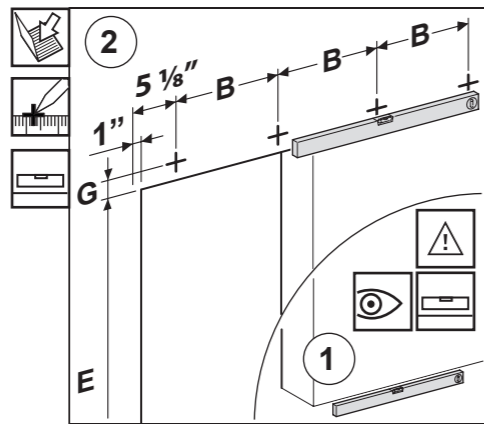


Abb. 8

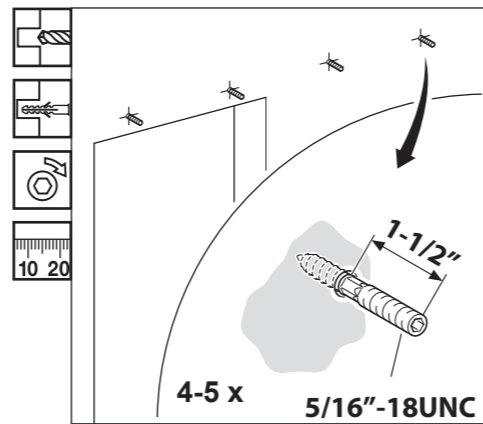


Abb. 9

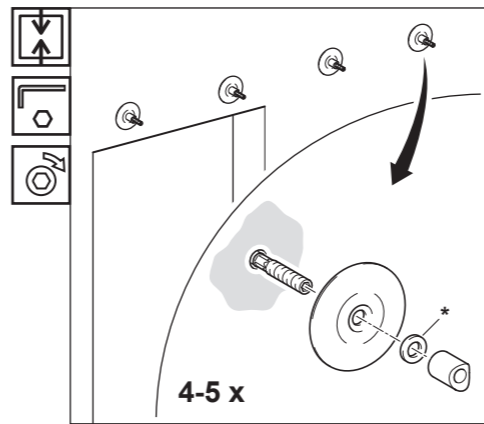


Abb. 10

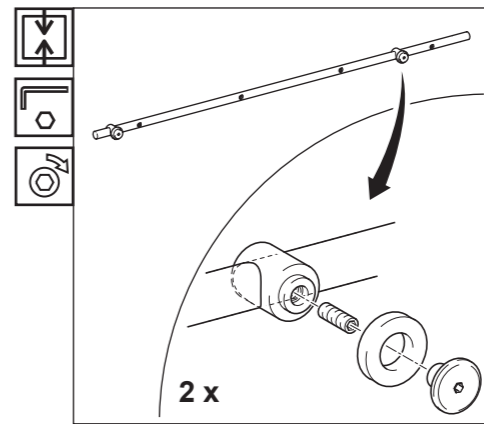


Abb. 11

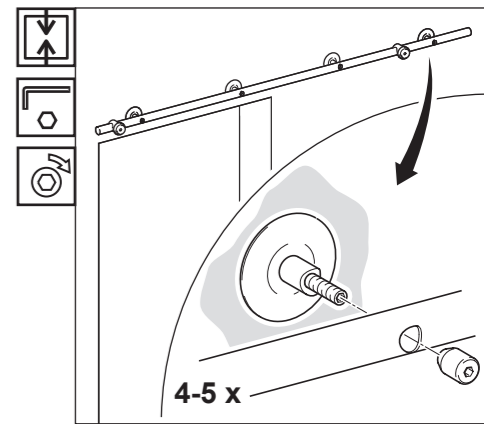


Abb. 12

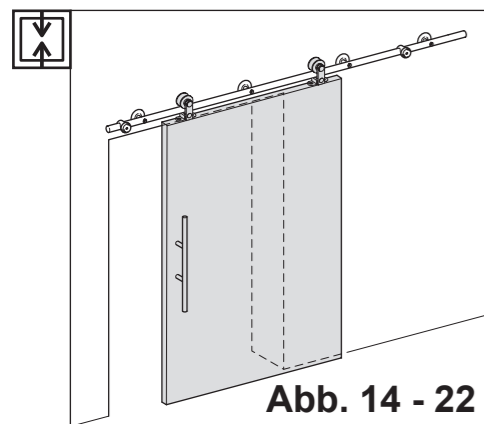


Abb. 13

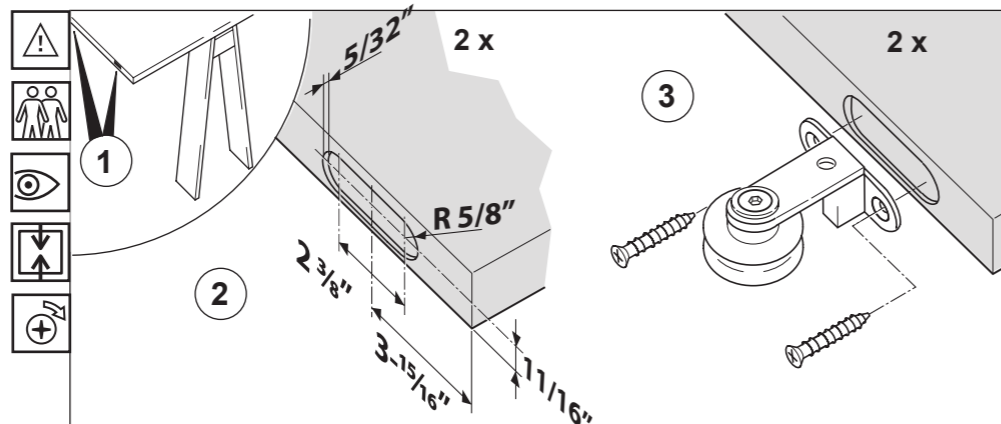


Abb. 14

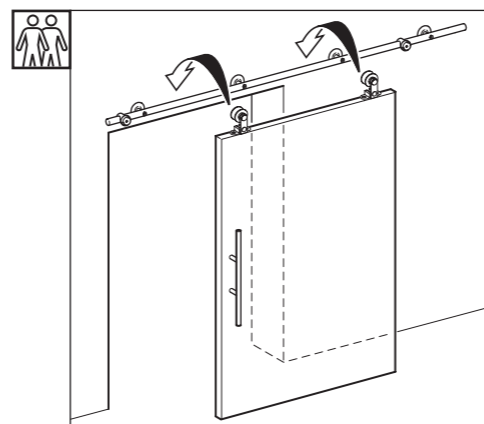


Abb. 15

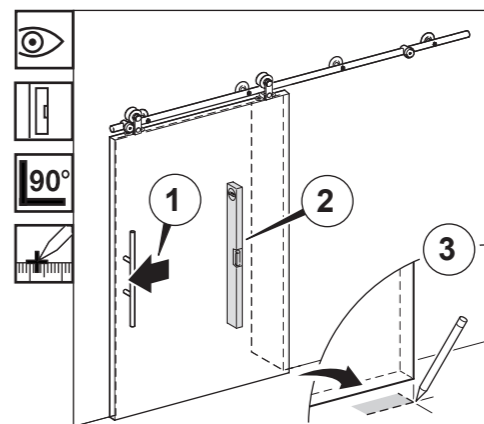


Abb. 16

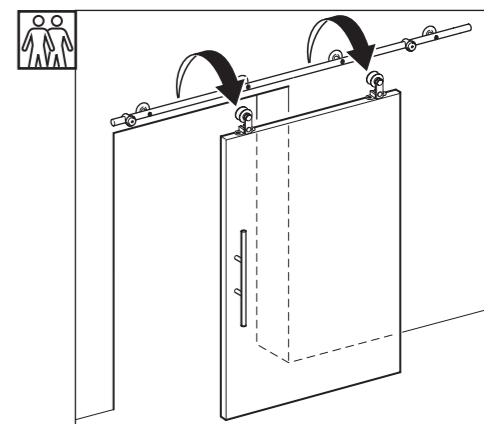


Abb. 17

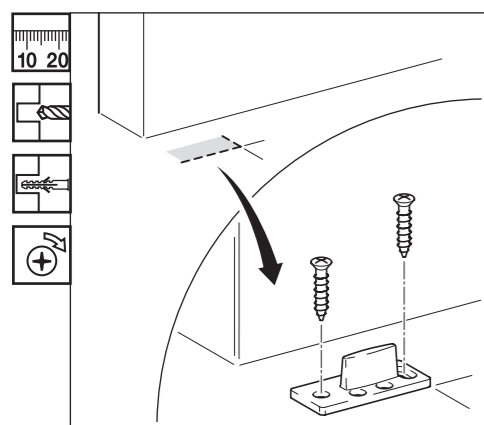


Abb. 18

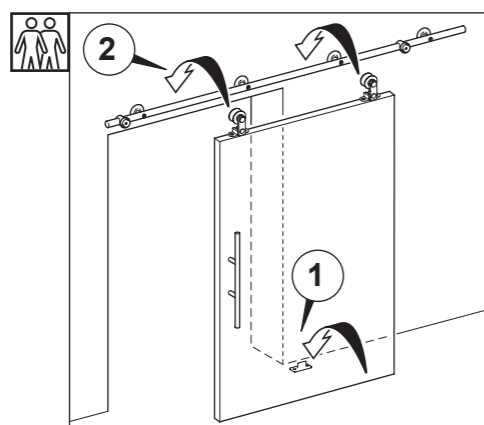


Abb. 19

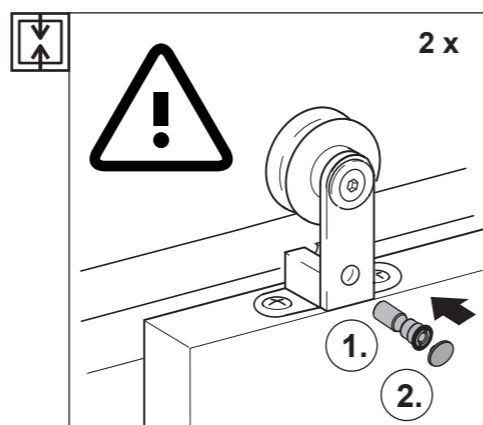


Abb. 20

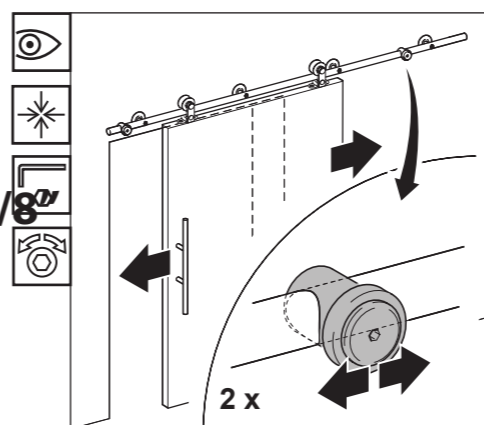


Abb. 21

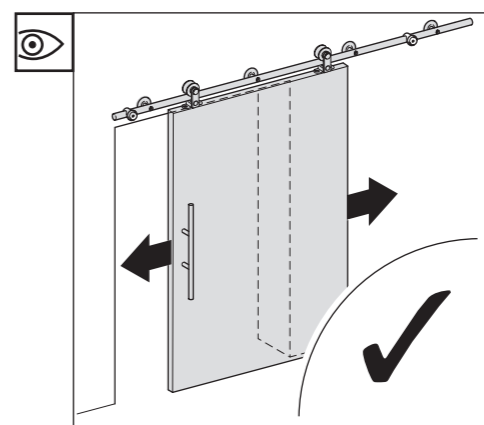


Abb. 22